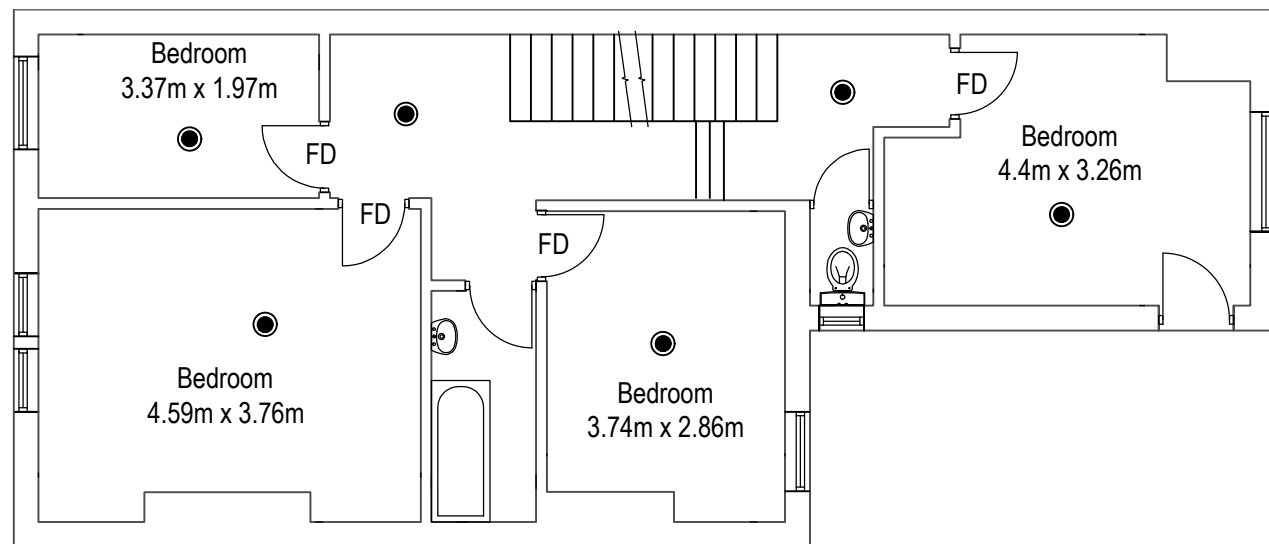
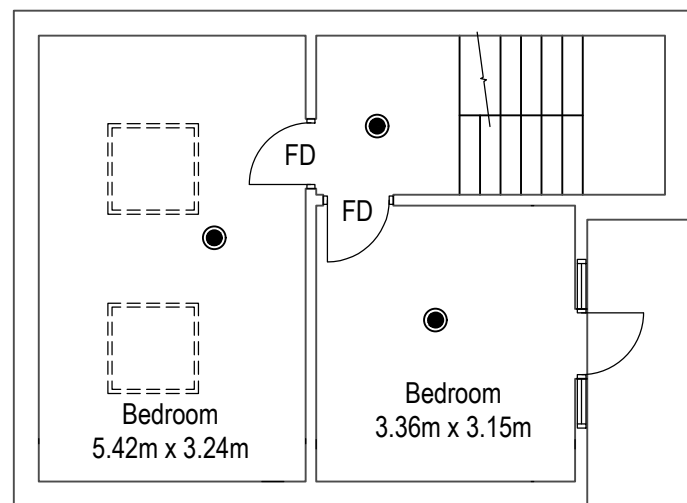


Ground Floor Plan



First Floor Plan



Second Floor Plan

NOTES

- DO NOT SCALE FROM THIS DRAWING.
- ALL MEASUREMENTS ARE IN MILLIMETRES UNLESS STATED OTHERWISE.
- THIS DRAWING IS TO BE READ IN CONJUNCTION WITH THE SPECIFICATION AND ALL RELEVANT ARCHITECTURAL, ELECTRICAL, MECHANICAL AND STRUCTURAL DRAWINGS.

IN ADDITION TO THE HAZARDS/RISKS NORMALLY ASSOCIATED WITH THE TYPES OF WORK DETAILED ON THIS DRAWING, NOTE THE FOLLOWING SIGNIFICANT RESIDUAL RISKS:-

ITEM	HAZARD	RISK

REV	DESCRIPTION	BY	DATE	CHKD	AUTH



CLIENT:

PROJECT:
33 Manor House Road
Newcastle upon Tyne
NE2 2LY

TITLE:
Floor Plans

SCALE:	ORIGINAL SIZE:	DESIGNED:	DRAWN:	CHECKED:	AUTHORISED:
NTS	A3	DATE:	HD	DATE:	DATE:

PROJECT NO. / DISCIPLINE: TYPE: CODE: DRG NO. / REV:
/ BS / - / - / 001 /

PROJECT NO. / DISCIPLINE: TYPE: CODE: DRG NO. / REV:
/ BS / - / - / 001 /